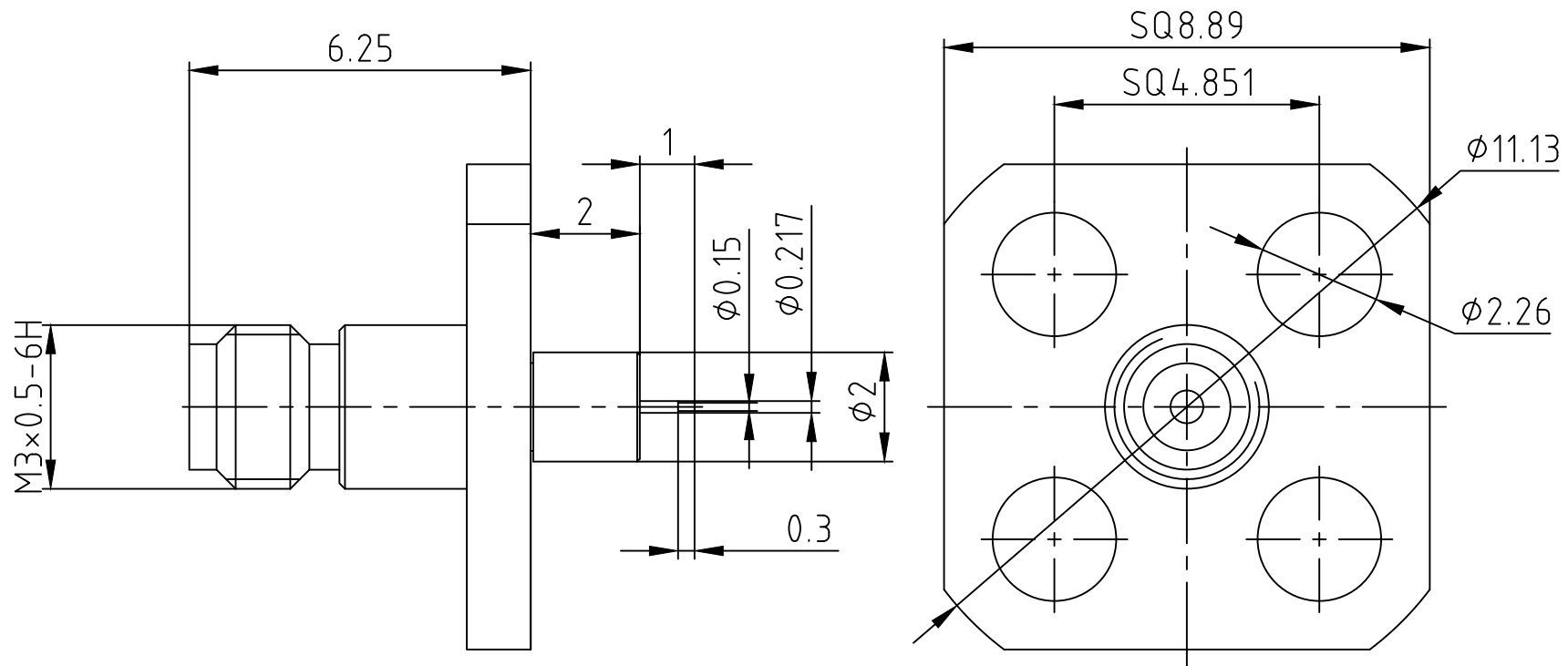


NOTICE OF PROPRIETARY RIGHTS: THIS DRAWING CONTAINS CONFIDENTIAL INFORMATION PROPRIETARY TO Somefly technology Co.,Ltd. IT MUST NOT BE REPRODUCED OR DISCLOSED TO OTHERS OR USED IN ANY OTHER WAY, IN WHOLE OR PART EXCEPT AS AUTHORIZED IN WRITING BY Somefly technology Co.,Ltd.

RoHS compliant

SYM	REVISION DESCRIPTION	DFTM	DATE	APPD	APPD



技术要求:

- 1.界面符合(Interface): 0.5
- 2.电气性能(Electrical Characteristics):
 - 2.1.阻抗(Impedance): 50Ω
 - 2.2.频率范围(Frequency Range): DC-250GHz
 - 2.3.驻波(Vswr): 1.8
 - 2.4.绝缘电阻(Insulation Resistance): 5000MΩ
- 3.环境性能(Environmental Characteristics):
 - 3.1.工作温度(Operating Temperature): -40℃ TO +85℃
 - 3.2.满足RoHS要求(RoHS compliant)
- 4.机械性能(Mechanical Characteristics):
 - 4.1.机械寿命(Mechanical Durability): 500 cycles

CUSTOMER OUTLINE DRAWING
ALL OTHER SHEETS ARE FOR INTERNAL USE ONLY

MATERIAL:	UNLESS OTHERWISE SPECIFIED		DFTM: HKW		Somefly technology Co.,Ltd	
	ALL DIMENSIONS ARE IN mm MACHINED SURFACES FINISH 1.6RMS MAX. REMOVE ALL BURRS 0.15x45°MAX. BREAK MACHINE CORNERS 0.15x45°D MAX. FILLET R. TOLERANCES ON DECIMALS .X ±0.2 .XX ±0.1 ANGLES±2° FRACTIONS±N/A		DATE: 2025.06.04			
USED ON:	DO NOT SCALE DRAWING		CHKD HeTong		0.5mm母头4孔 .35法兰金属穿墙尾 针直径0.15连接器	
SCALE: 1.5/1 DWG SIZE A4			DATE: 2025.06.04			
SURFACE (mm²) XX		WEIGHT (g) XX		APPD: Stone		0.5mm-KFD015-030
DATE: 2025.06.04		SHT	1730008	REV	A.0	